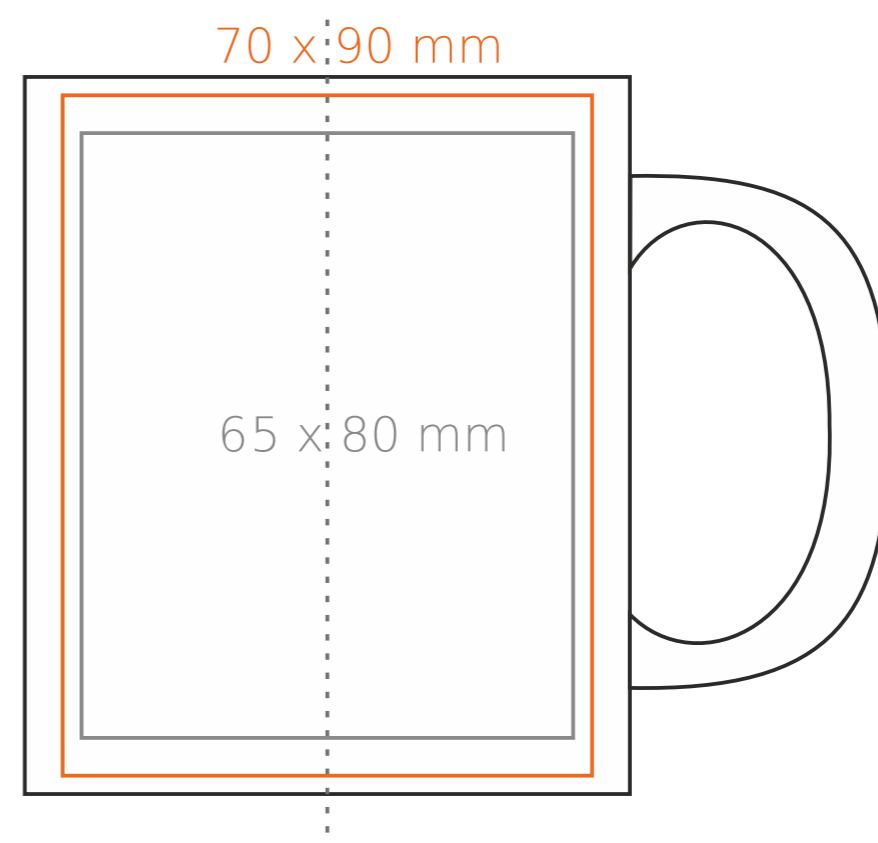
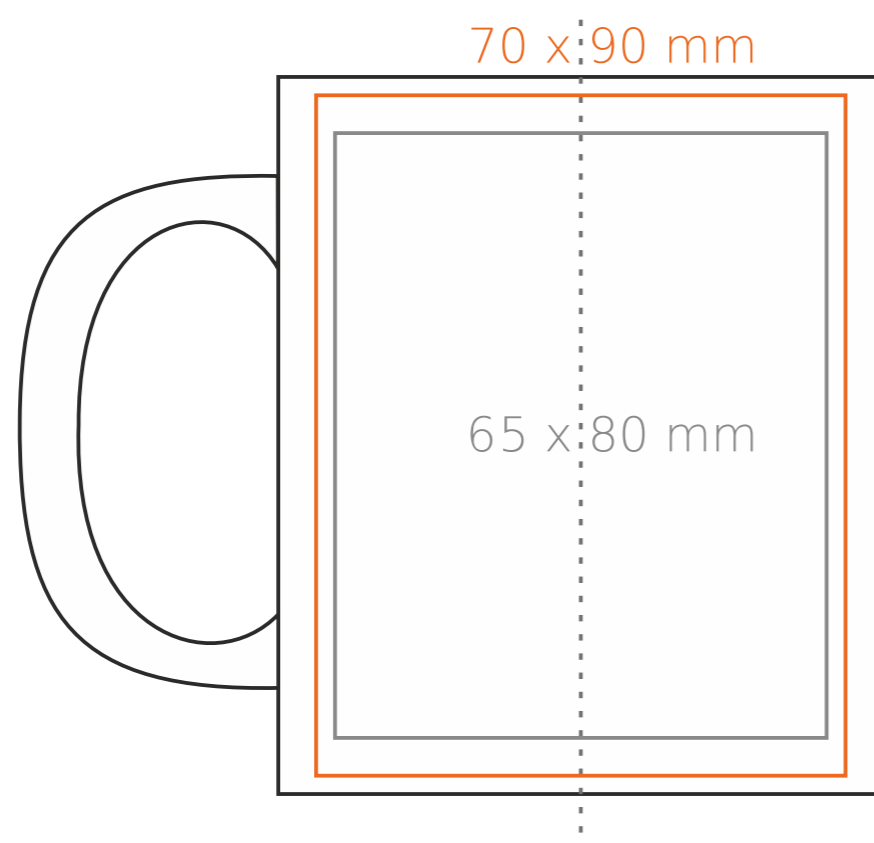
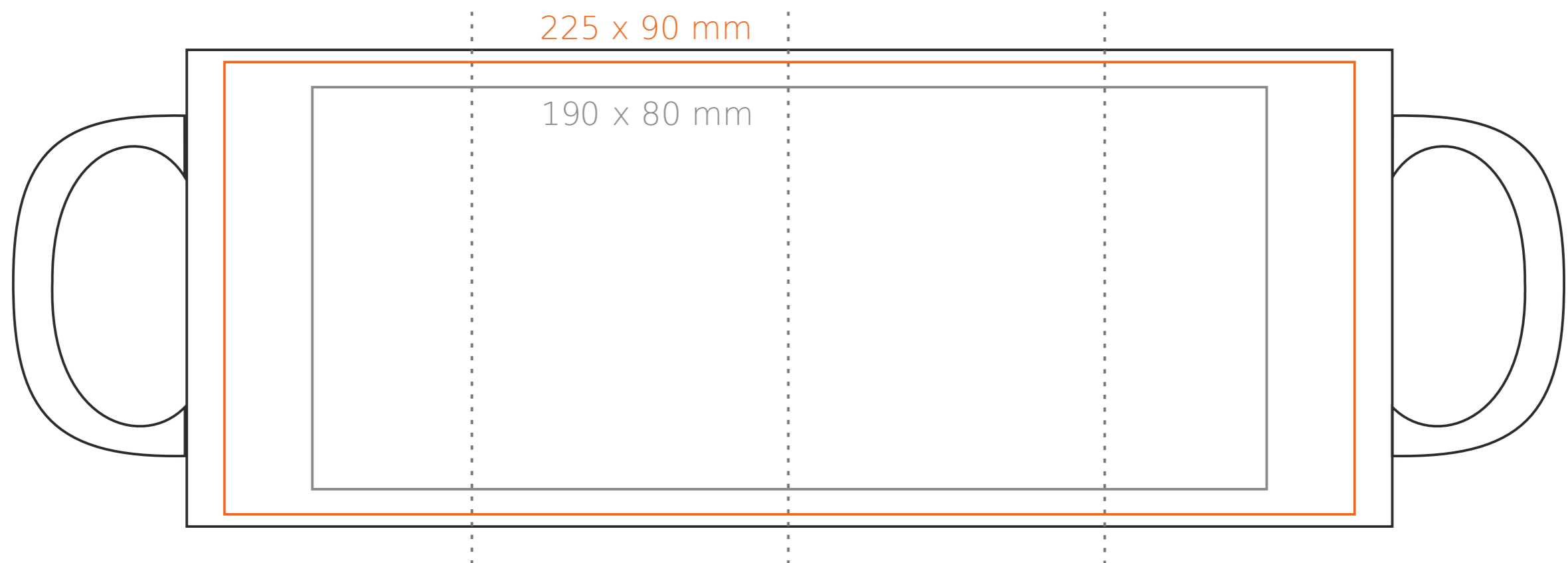


M_054 Tomek classic

300 ml / h: 95 mm / Ø 80 mm






Imprint on the handle
 Imprint on the inside
 Imprint on the bottom inside
 Imprint on the bottom outside

- 50 x 10 mm
- 40 x 20 mm
- Ø 30 mm
- Ø 55 mm

*In the case of projects for transfer print running outside of the standard print area, please contact our sales department.

[How to prepare print material](#)

meaning

-  Transfer Print
-  Sensitive Touch
-  Direct Print